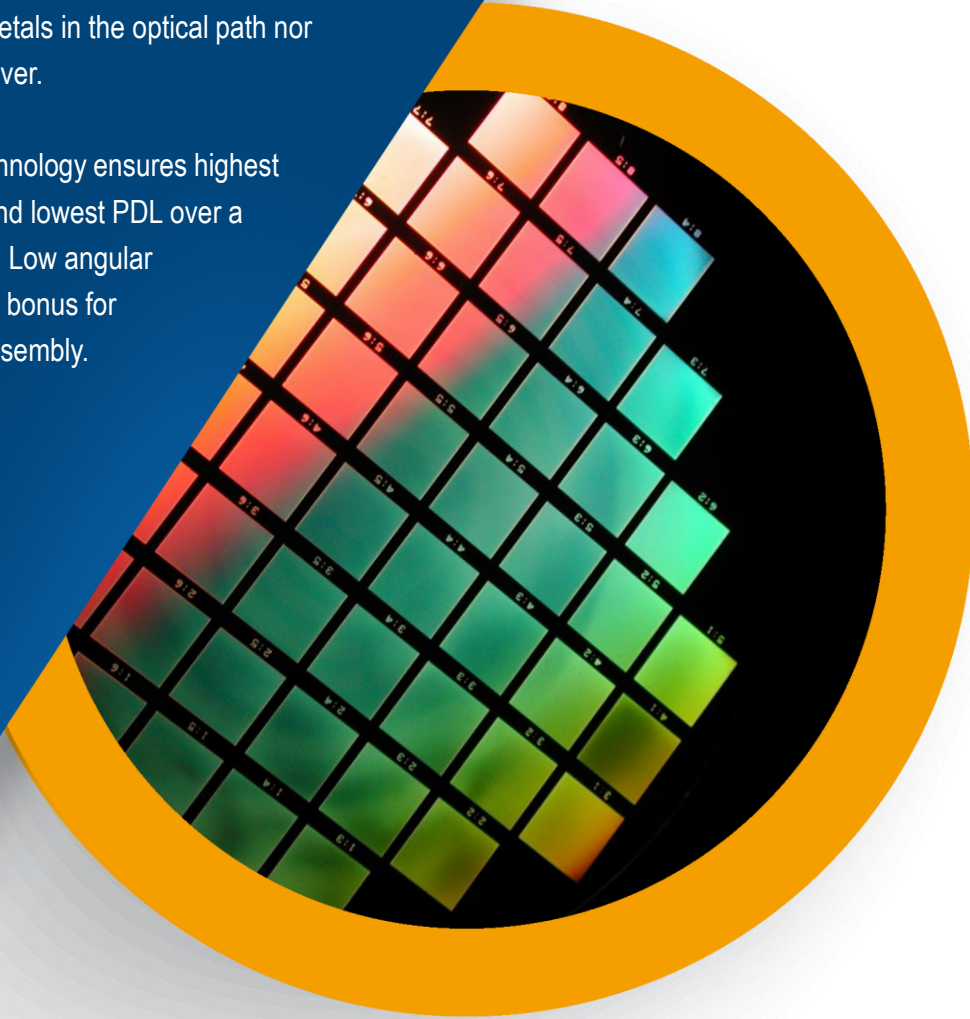


100% dielectric gratings offer unbeatable environmental and thermal stability combined with high efficiency, low PDL performance

Polarization independent (PING) telecom gratings from Ibsen are produced by holographic/lithographic stepper technology in 100% dielectric materials. This leads to unbeatable thermal and environmental stability, with no polymers, epoxies, gelatins or metals in the optical path nor in the grating whatsoever.

Advanced etching technology ensures highest diffraction efficiency and lowest PDL over a very broad bandwidth. Low angular sensitivity is an added bonus for module design and assembly.



PING Grating

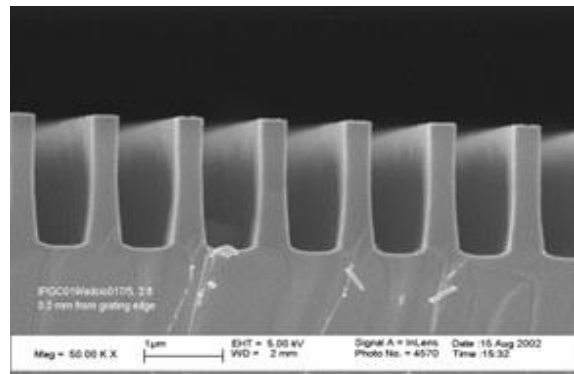
940 l/mm PING for telecom C-band

PING-Sample-003

940 l/mm PING Grating for telecom C-band

PING-Sample-003

Benefits
High efficiency, low PDL, broad spectral bandwidth
Transmission gratings give much greater alignment tolerances
Low transmitted wavefront distortion
High tolerance to illumination angle of incidence
Two grating designs are possible, offering compact design possibilities
Unbeatable thermal & environmental stability & lifetime

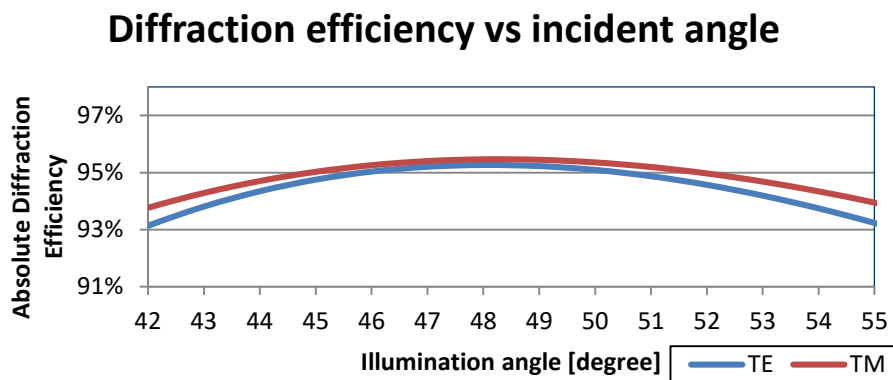
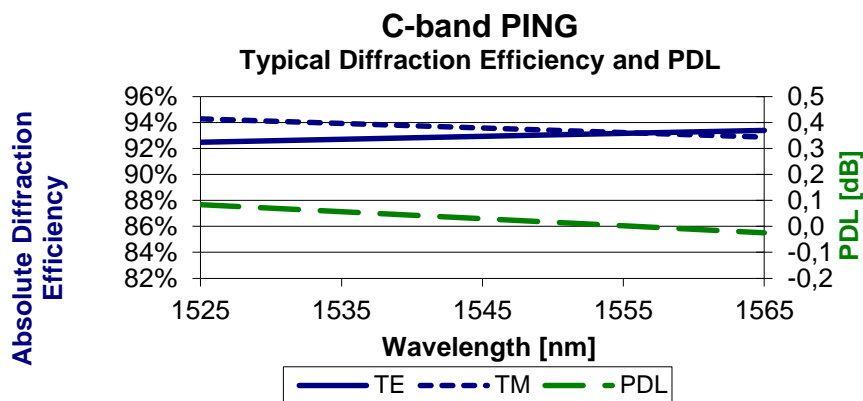


Parameter	Specification
Materials	100% dielectric materials
Grating area	19 mm x 13.5 mm
Chip size	21 mm x 15 mm
Chip thickness	0.625 mm
Grating resolution	940 l/mm
PDL	<0.25 dB
Angle of incidence (AOI)	46.6 degrees
Diffraction efficiency (TE & TM)	>90%
Bandwidth	1526 nm – 1566 nm
Production technology	Holographic/lithographic stepper and RIE etching
Maximum operating temperature	>500 degrees C
Packaging and shipment	Gelpak containers. Manufactured and sealed in class 10 cleanroom
Cleaning recommendation	First contact. Available from Photonic Cleaning

940 l/mm PING Grating for telecom C-band

PING-Sample-003

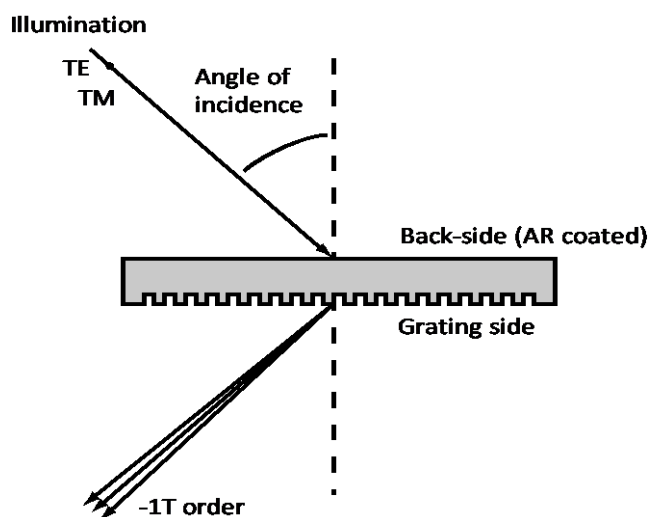
Typical grating performance



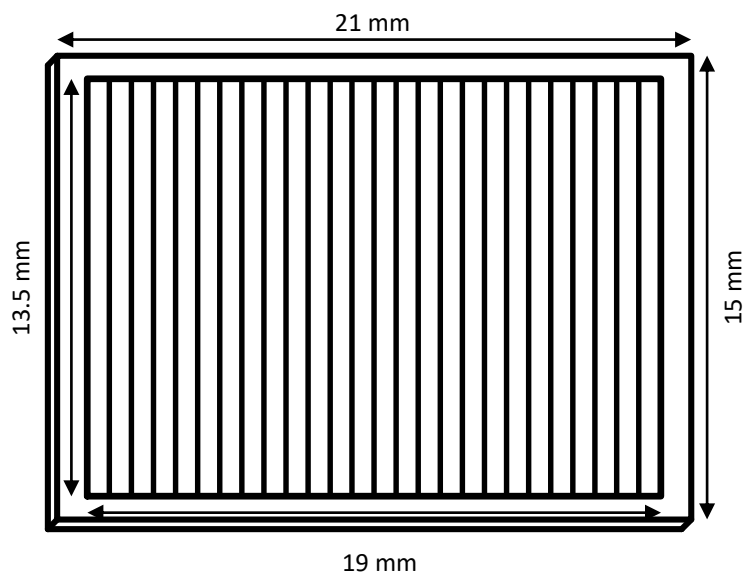
940 l/mm PING Grating for telecom C-band

PING-Sample-003

Configuration/Definitions



Drawing



Specifications are subject to change without notice.

The above grating is an example of Ibsen's capabilities. Ibsen operates as grating partner for our customers, from being an integrated part of the grating and device / instrument design phase, to the manufacturing of prototypes, to volume manufacturing of OEM gratings.