

The Proven Path to Ultra Compact, High Performance Spectroscopy

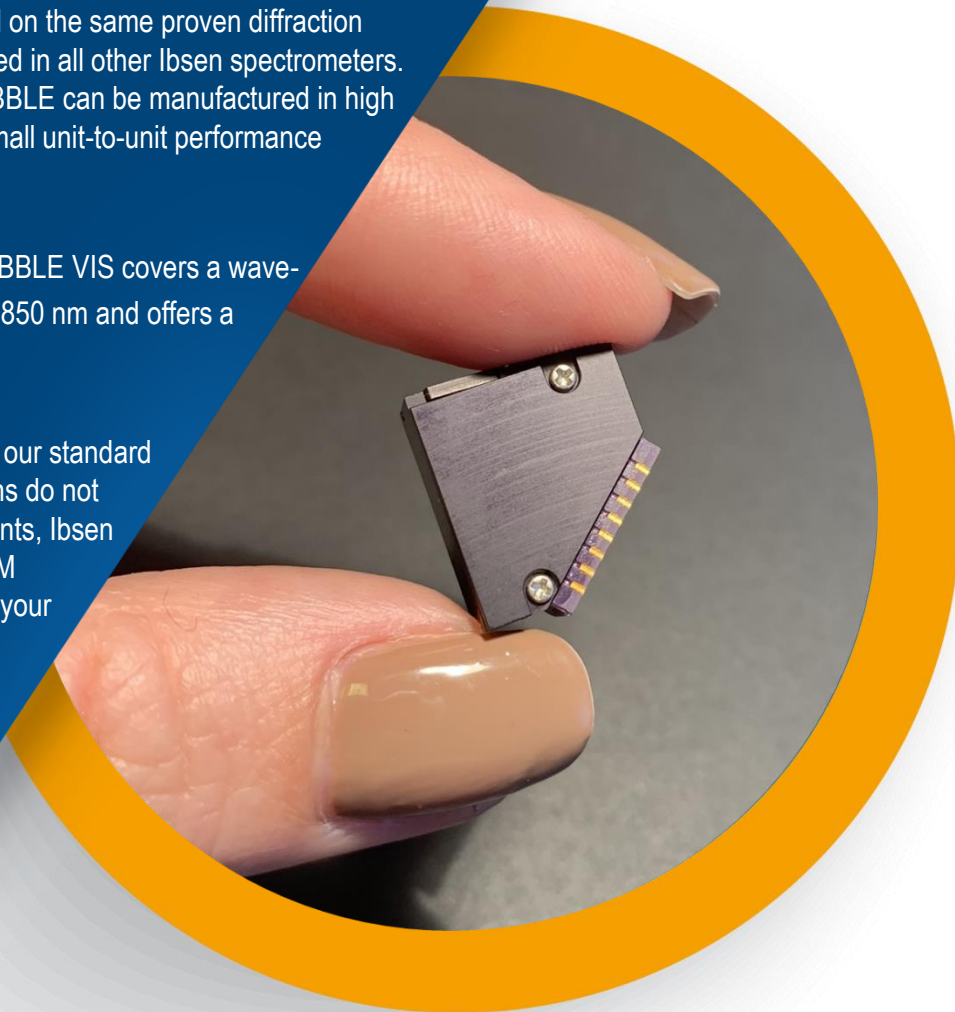


Ibsen's PEBBLE spectrometers combine an ultra compact form factor with high resolution and sensitivity as well as environmental ruggedness.

PEBBLE VIS is based on the same proven diffraction grating technology used in all other Ibsen spectrometers. This ensures that PEBBLE can be manufactured in high quantities with very small unit-to-unit performance variation.

The ultra compact PEBBLE VIS covers a wavelength range of 380 – 850 nm and offers a resolution of 6 nm.

If the specifications of our standard PEBBLE configurations do not match your requirements, Ibsen can customize an OEM spectrometer to meet your exact needs.

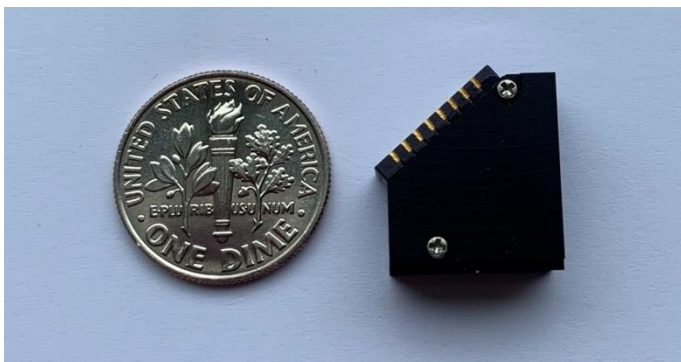


PEBBLE VIS

380 – 850 nm OEM Spectrometer

PEBBLE VIS 380 – 850 nm OEM Spectrometer

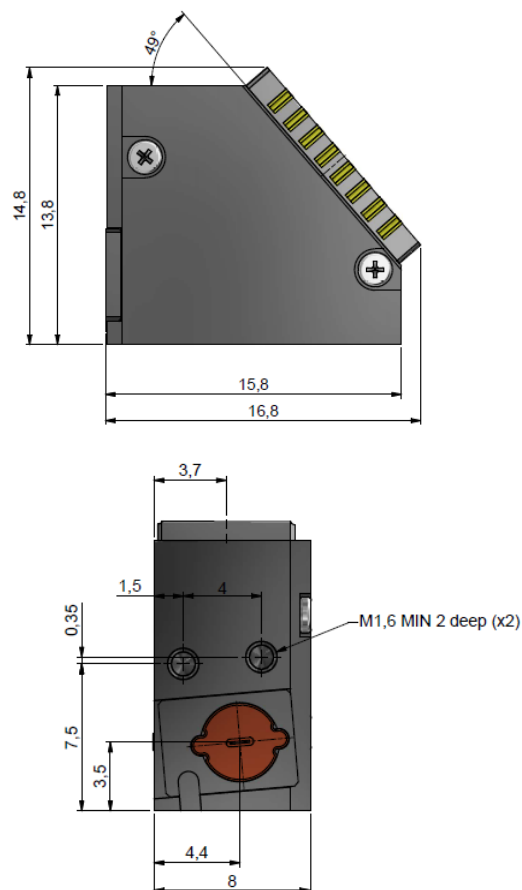
Key Benefits



- Ultra compact size
- High speed CMOS detector
- High resolution of 6 nm
- High NA of 0.22 / low f-number of f/2.2

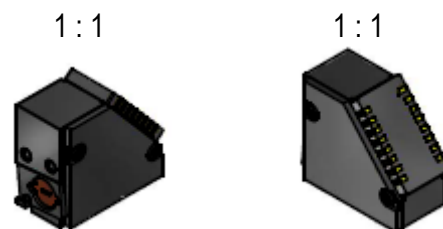
Specifications

Parameter	PEBBLE VIS
Wavelength range	380 - 850 nm
Numerical aperture	0.22
Resolution	6 nm/FWHM (12.5 x 250 μ m slit)
Detector	CMOS detector
Pixels	256 pixels: 14 x 200 μ m
Interface	Direct interface to detector pins (optional electronics available – see below)
Dimensions	17 x 15 x 8 mm without electronics
Weight	< 5 grams without electronics



Optional DISB Electronics

Parameter	Electronics
Interface	SPI
ADC	16 bit
Maximum	4.8 KHz
External trigger	Yes
On-board storage of calibration coefficient	Yes
Power (typical)	0.8 W



Specifications are subject to change without notice.